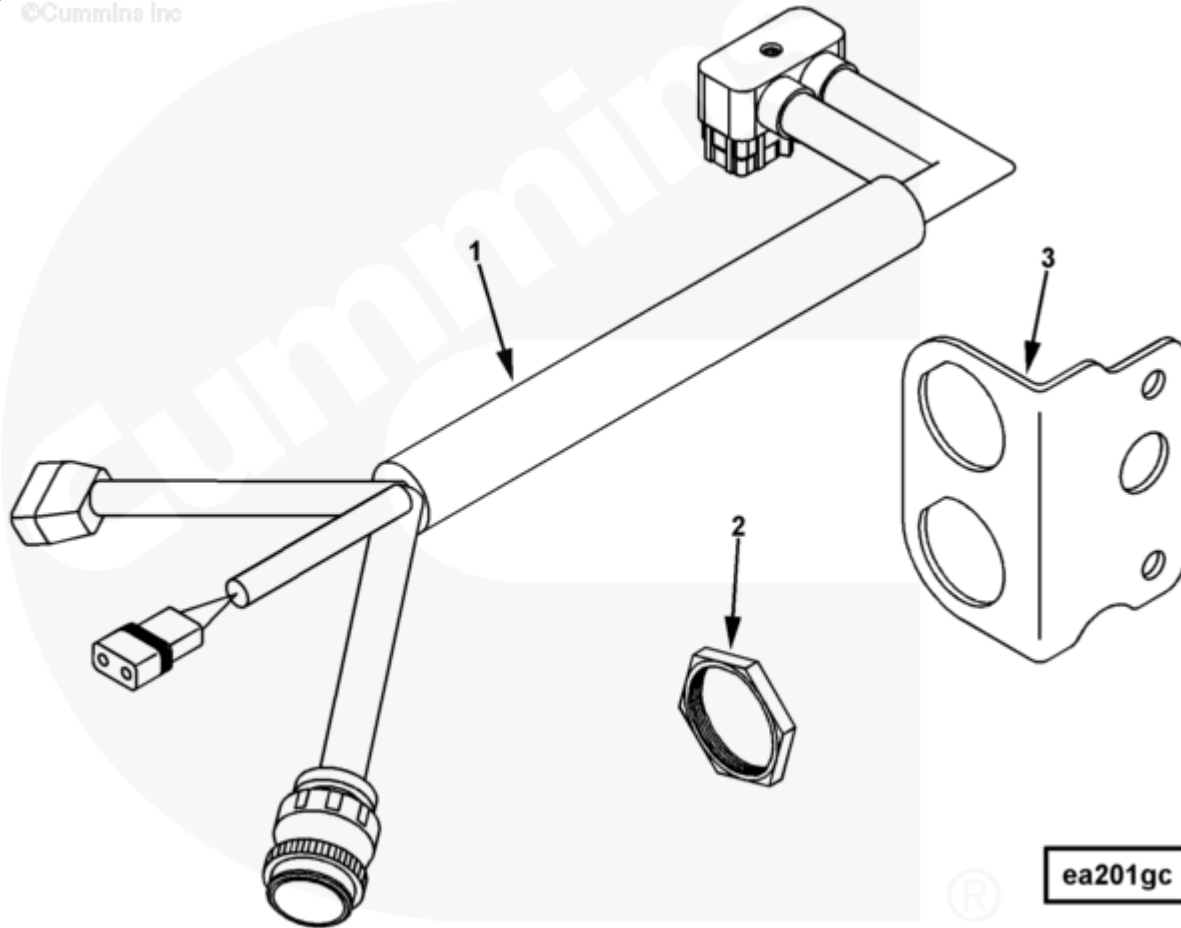




## Parts Catalog - Option Detail

Electronic Parts Catalog - Option Detail				
Option	Group	Graphic	Film Card	Date
EA2036-02	21.01.1	ea201gc	II	22-MAY-01
<b>Engines</b>	ISM CM570, ISM CM570/870, ISM CM875, ISM CM876, ISM CM876 E, ISM11 CM876 M103, ISM11 CM876 SN, M11 CELECT, M11 CELECT PLUS, M11 MECHANICAL, QSM11 CM570, QSM11 CM876			

©Cummins Inc



SMALL | MEDIUM | LARGE

Cart	Ref No	Part Number	Part Description	Required	Remarks
View My Cart					
		EA2036-02	Electrical Accessories		
					Electrical Accessories
					Elec. Accessories Incl:
					Engine System Diagnostic
					Cable

					Electrical Accessories
					Supplied: On Engine
					Datalink Provision: SAE
					J1587 and SAE J1939 Meets
					requirements of SAE 1939
					physical layer-13.
					Recommended practice TMCRP-
					1202
					Includes Power Supply
					Circuits: For Datalink
					Adapter
					Datalink Supplier: Cummins
					ECM Location: High Mount
<input type="checkbox"/>	1	<a href="#">4060578</a>	Wiring Harness	1	
<input type="checkbox"/>	2	<a href="#">4022547</a>	Regular Hexagon Nut	1	
<input type="checkbox"/>	3	<a href="#">4070495</a>	Wiring Brace	1	